



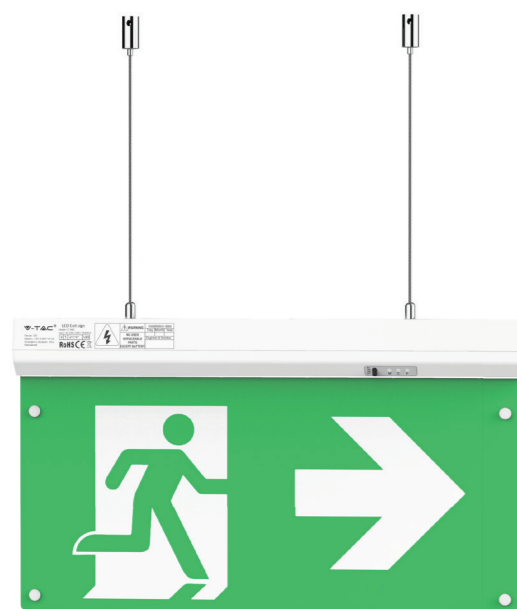
Meaningful Innovation.

WEEE Number: 80133970

INSTALLATION INSTRUCTION LED EMERGENCY EXIT LIGHT

TECHNICAL DATA

Model	VT-995
SKU	7675
WATTS	2.5W
NO. OF LED	20 SMD LEDs
LUMENS	100LM
BATTERY TYPE	Ni-Cd AA 3.6V, 0.6Ah
EMERGENCY OPERATION TIME	>3 Hours (Maintained)
BATTERY DISCHARGE CURRENT	150mA
BATTERY CHARGING CURRENT	60mA
RECHARGING	24 HOURS
VIEWING DISTANCE	30 METERS FROM BOTH SIDE
OPERATION TEMPERATURE	0 to +45°C
DIMENSION	350x195x29mm
INPUT POWER	AC:220-240V, 50/60Hz
STICKER	4 WAY LEGENDS AVAILABLE
BODY TYPE	PC+PMMA
MAIN & CHARGING INDICATOR	GREEN LIGHT
LAMP TYPE	EXIT LAMP



03 YEAR
WARRANTY

INTRODUCTION & WARRANTY

Thank you for selecting and buying V-TAC product. V-TAC will serve you the best. Please read these instructions carefully before starting the installation and keep this manual handy for future reference. If you have any another query, please contact our dealer or local vendor from whom you have purchased the product. They are trained and ready to serve you at the best. The warranty is valid for 3 years from the date of purchase. The warranty does not apply to damage caused by incorrect installation or abnormal wear and tear. The company gives no warranty against damage to any surface due to incorrect removal and installation of the product. This product is warranted for manufacturing defects only.

IN CASE OF ANY QUERY/ISSUE WITH THE PRODUCT, PLEASE REACH OUT TO US AT: SUPPORT@V-TAC.EU
FOR MORE PRODUCTS RANGE, INQUIRY PLEASE CONTACT OUR DISTRIBUTOR OR NEAREST DEALERS. V-TAC EUROPE LTD. BULGARIA, PLOVDIV 4000, BUL.L.KARAVELOW 9B

WARNING:

- Please make sure to turn off the power before starting the installation.
- The light source of this luminaire is not replaceable; when the light source reaches its end of life the whole luminaire shall be replaced.
- Installation should only be done by a certified electrician.
- For Indoor Use only
- The device must be connected to the main power supply through a fuse dependent by the total amount of the line's power load.
- Installation should be carried out in accordance with the latest edition of the wiring regulations and taking into consideration the latest building regulations.
- Ensure there is adequate free air circulation of at least 100mm around the luminaire. It is the installer's responsibility to consider fire risk and take appropriate precautions.
- This luminaire is intended only for mounting in locations where the plug and socket are protected from unauthorized disconnection



This marking indicates that this product should not be disposed of with other household wastes.



Caution, risk of electric shock.



MULTI-LANGUAGE MANUAL QR CODE

Please scan the QR code to access the manual in multiple languages.

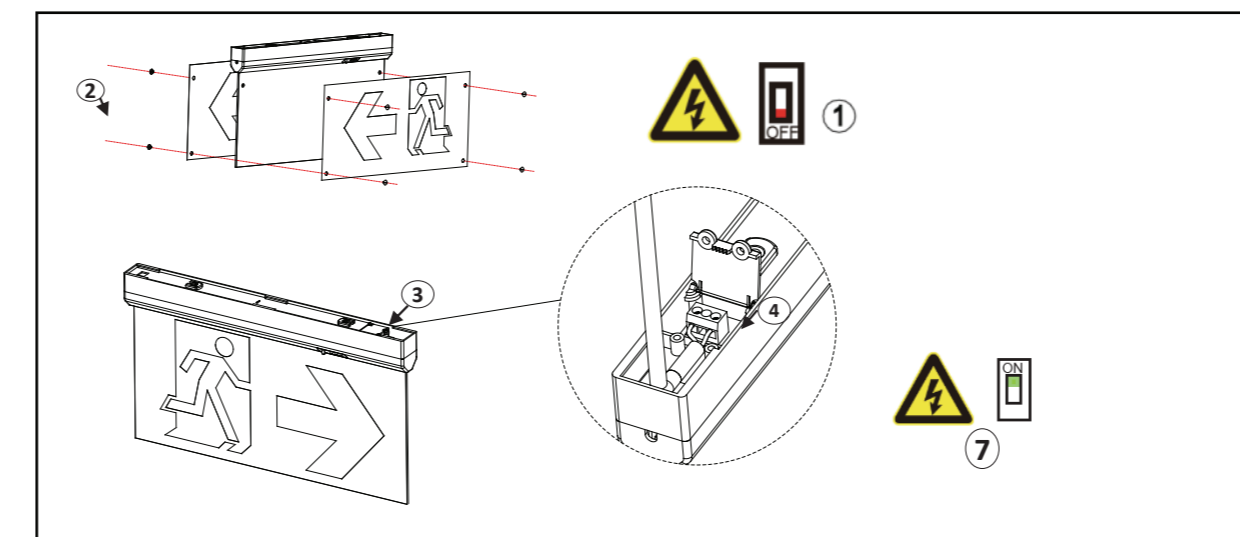


PACKAGE LIST

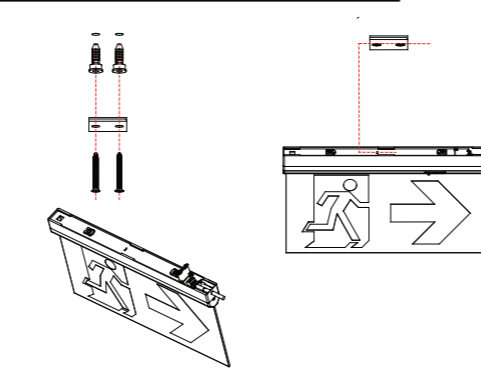


SKU: 11362
REMOTE CONTROLLER
(NOT INCLUDED)

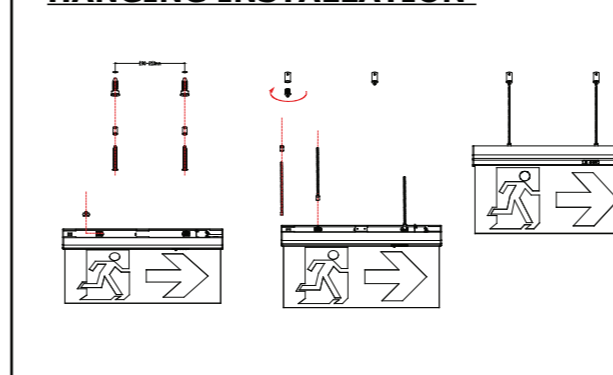
INSTALLATION DIAGRAM



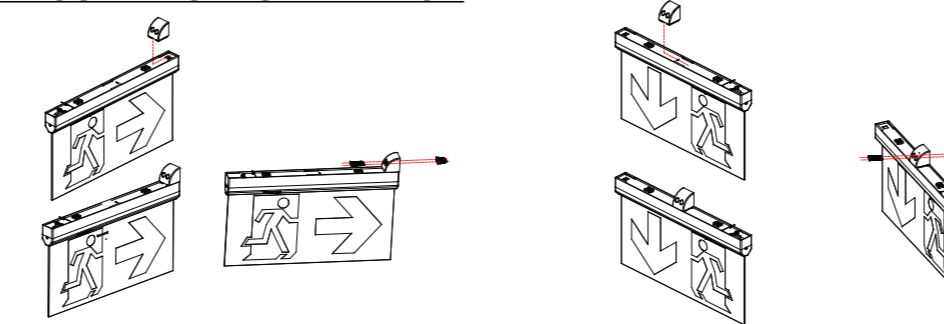
SURFACE INSTALLATION



HANGING INSTALLATION



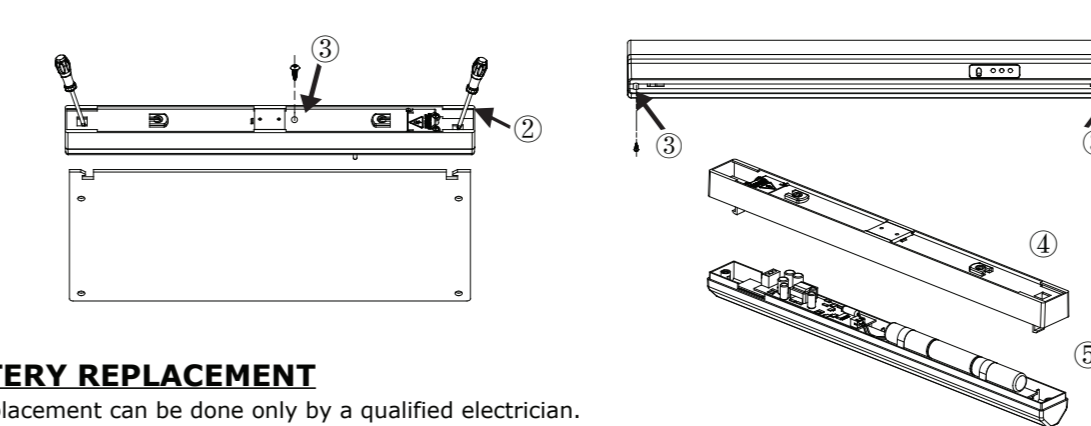
WALL MOUNTING INSTALLATION



INSTALLATION INSTRUCTIONS

- Switch off the power before starting the installation.
- Place the right pictogram with plastic mounting bolts.
- Open the cable input cabinet
- Connect the main power supply cable to driver.
- Close the cable input cabinet
- Connect the ideal accessory to the luminaire and fasten it ideally as shown above installation.
- Switch on the power

BATTERY REPLACEMENT DIAGRAM



BATTERY REPLACEMENT

- The replacement can be done only by a qualified electrician.
- Turn off the main power supply.
 - Remove the PMMA by punching the hooks.
 - Release 3 pieces screws.
 - Remove the cover.
 - Disconnect the old battery plug and remove it.
 - Insert the new battery in the same way as the old battery.
 - Close the cover and install the PMMA.

LUMINAIRE INDICATOR

Operation	Main Power Supply Indicator (Green)		Charge Indicator (Green)		Error Indicator (Red)		Emergency LED Maintained Mode		Emergency LED Non-Maintained Mode	
	1"	1"	1"	1"	1"	1"	1"	1"	1"	1"
Time Line	1"	1"	1"	1"	1"	1"	1"	1"	1"	1"
Normal Charging	Constantly on	Constantly on	Constantly on	Constantly on	OFF	OFF	Constantly on	Constantly on	OFF	OFF
Normal AC Failure	OFF	OFF	OFF	OFF	OFF	OFF	Constantly on	Constantly on	Constantly on	Constantly on
Manual Test	Constantly on	OFF	OFF	OFF	OFF	OFF	Constantly on	Constantly on	Constantly on	Constantly on
Monthly Self-Test	Constantly on	●	●	●	OFF	OFF	Constantly on	Constantly on	Constantly on	Constantly on
Annual Self-Test	Constantly on	●●●●	●●●●	●●●●	OFF	OFF	Constantly on	Constantly on	Constantly on	Constantly on
Battery Circuit Failure	Constantly on	OFF	●	●	●	●	Constantly on	Constantly on	OFF	OFF
Light Source Failure	Constantly on	Constantly on	●	●	●	●	OFF	OFF	OFF	OFF
Duration Test Failure	Constantly on	Constantly on	Constantly on	Constantly on	Constantly on	Constantly on	Constantly on	Constantly on	OFF	OFF

MANUAL & SELF-TEST LOGIC

- Manual Test: Press the test button, the green charge and main power supply indicator must be off and the emergency function activated.
- Monthly Self-test: Press the test button for 5 seconds or it will activate automatically every 30 days after installation. The green charge indicator will flash once every second for 128 seconds. If the battery charge and the LED do not have a problem, the luminaire will return to normal operation after the test.
- Annual Self-test: Press the test button for 7 seconds or it will activate automatically every 365 days after installation. The green charge indicator will flash twice every second for 3 hours. If the battery charge, LED and durability test do not present a problem, the luminaire will return to normal operation after the test.
- Battery circuit self-test: the luminaire constantly check the battery circuit. If the battery circuit is not found to be normal, the red error indicator will flash once every second until the battery is replaced.

LABELING INFORMATION

- X: Self-contained
- 1: Maintained
- A: Including test device
- F: Automatic test gear complying with IEC 61347-2-7 denoted EL-T
- G: Internally illuminated safety sign
- 180: 180 minutes duration

EMERGENCY LUMINAIRE DESIGNATION

X 1 AFG 180

MAINTENANCE INFORMATION

PARTS:

- The luminaire contains no user replaceable components other than the battery pack contained in emergency versions.

BATTERY:

- It is operated and maintained by regular tests, as described in detail in this document.
 - The battery must be replaced in case it cannot support the minimum duration autonomy of 3 hours.
- Suspension of product operation: in case of not using the product for a period of the installer must execute the following steps:
- Disconnect the main power supply.
 - Press the test button one time.
 - After button is pressed the LED will stop emitting and the operation of battery protection will start.

If the above sequence did not apply then the battery will discharge on a certain limit until the battery protection operation starts.

Minimum recommended test schedule:

- Daily: check that the green indicators is active and the red error indicator is inactive.
- Monthly: check that the green indicators is active and the red error indicator is inactive (After the monthly self-test).
- Annually: check that the green indicators is active and the red error indicator is inactive (After the monthly self-test).

NOTE: If red error indicator is activated after any of the above or if the luminaire does not work as described in this document, contact the installer.

Quality control table

Month	Test	1st Year		2nd Year		3rd Year		4th Year		5th Year	
		Signed	Date	Signed	Date	Signed	Date	Signed	Date	Signed	Date
1	functionality										
2	functionality										
3	functionality										
4	functionality										
5	functionality										
6	functionality										
7	functionality										
8	functionality										
9	functionality										
10	functionality										
11	functionality										
12	functionality										

Installed By: Luminaire Location:

Installed Date: Contact Details:

Luminaire No.:
